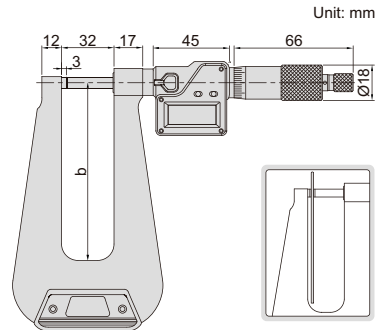


DIGITAL SHEET METAL MICROMETERS

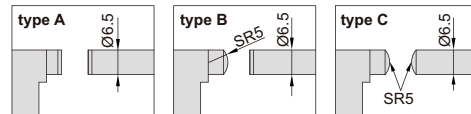
DATA
OUTPUT

IP65
WATERPROOF

- Deep frame suitable for sheet metal, paper and plastic
- Resolution 0.001mm/0.00005"
- IP65 dust/waterproof
- Button function: on/off, set, mm/inch, ABS/INC
- Data output
- LR44 battery, automatic power off
- Ratchet stop
- Carbide measuring faces
- Optional accessory: data output cable (code 7315-, 7302-, 7305-)



3539-253A



(mm)

Code	Range	Type	Accuracy	b
3539-253A	0-25mm/0-1"	A	±7μm	155
3539-253FA	0-25mm/0-1"	B	±7μm	155
3539-254FA	0-25mm/0-1"	B	±10μm	310
3539-253SA	0-25mm/0-1"	C	±7μm	155