

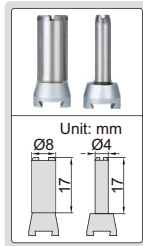
# LONG STYLUS DIAL TEST INDICATOR

**INSPECTION  
CERTIFICATE**  
TRACEABLE TO NIST

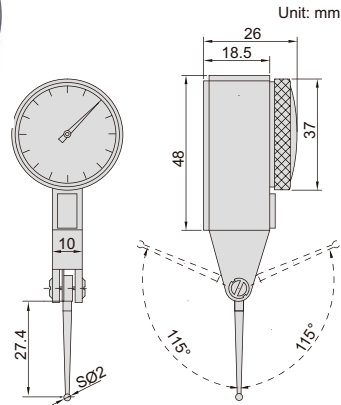
JEWELLED  
BEARING

- Meet DIN2270
- Jeweled bearing
- Carbide contact point
- Two measuring directions
- Anti magnetic body
- Supplied with two clamps:  
diameter  $\varnothing 4\text{mm}$  and  $\varnothing 8\text{mm}$
- Optional accessory:  
styli (page 134)

clamp (included)



2383-08A



Code	Range	Graduation	Accuracy	Hysteresis	Dial reading
2383-08A*	0.8mm	0.01mm	13 $\mu\text{m}$	3 $\mu\text{m}$	0-40-0

\* Supplied with manufacturer inspection certificate traceable to NIST USA