

VERNIER DEPTH GAGE (ECONOMIC TYPE)

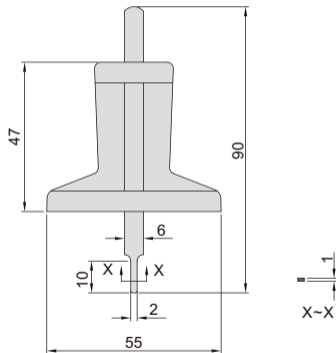
Unit: mm

- Graduation: 0.1mm
- Made of stainless steel

| Code | Range | Accuracy |
|---------|--------|----------|
| 1244-30 | 0-30mm | ±0.10mm |



1244-30



X~X