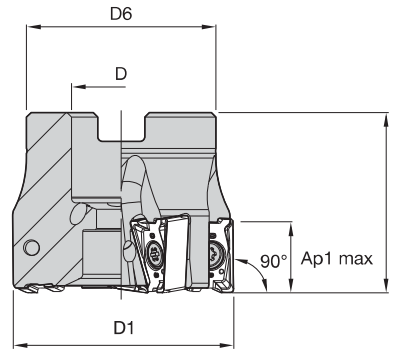
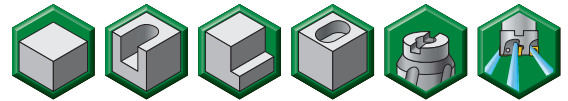


- Superior wall and surface finish capabilities.
- “Stepless” solution. True 90° to run precise applications in multiple axial passes.
- Strong concept to run up to 15mm (.590") depth of cut.
- Effective internal coolant feature, reaching the cutting edge precisely.



Shoulder Mills

### ■ Shell Mills

order number	catalogue number	D1	D	D6	L	Ap1 max	Z	kg	max RPM
5710289	VSM490D040Z04S16XN15	40	16	37	40	15,0	4	0,20	18800
5710520	VSM490D040Z05S16XN15	40	16	37	40	15,0	5	0,19	18800
5873221	VSM490D050Z04S22XN15	50	22	42	40	15,0	4	0,28	16300
5710521	VSM490D050Z05S22XN15	50	22	42	40	15,0	5	0,28	16300
5710522	VSM490D050Z06S22XN15	50	22	42	40	15,0	6	0,28	16300
5873222	VSM490D063Z05S22XN15	63	22	50	40	15,0	5	0,50	14200
5710523	VSM490D063Z06S22XN15	63	22	50	40	15,0	6	0,49	14200
5710524	VSM490D063Z07S22XN15	63	22	50	40	15,0	7	0,48	14200
5873223	VSM490D080Z05S27XN15	80	27	60	50	15,0	5	1,03	12300
5710525	VSM490D080Z07S27XN15	80	27	60	50	15,0	7	1,03	12300
5873224	VSM490D080Z09S27XN15	80	27	60	50	15,0	9	1,04	12300
5710526	VSM490D100Z08S32XN15	100	32	80	50	15,0	8	1,61	10900
5873225	VSM490D100Z11S32XN15	100	32	80	50	15,0	11	1,64	10900
5873226	VSM490D125Z09S40XN15	125	40	90	63	15,0	9	2,96	9600
5873227	VSM490D125Z12S40XN15	125	40	90	63	15,0	12	3,11	9600
5873228	VSM490D160Z12S40XN15	160	40	110	63	15,0	12	4,80	8400

### ■ Spare Parts

D1	insert screw	Nm	Torx Plus driver	socket-head cap screw	socket-head cap screw with coolant groove	coolant lock screw assembly	coolant lock screw	coolant shower plate
40	MS-2071	3,5	DT15IP	125.825	MS1294CG	—	—	—
50	MS-2071	3,5	DT15IP	125.025	MS1234CG	—	—	—
63	MS-2071	3,5	DT15IP	125.025	MS1234CG	—	—	—
80	MS-2071	3,5	DT15IP	125.230	MS2038CG	—	—	—
100	MS-2071	3,5	DT15IP	—	—	MS2189C	—	—
125	MS-2071	3,5	DT15IP	—	—	MS2187C	—	—
160	MS-2071	3,5	DT15IP	—	—	—	420.200	470.233

NOTE: Socket-head cap screw with coolant groove and coolant lock screw assembly must be ordered separately.