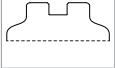

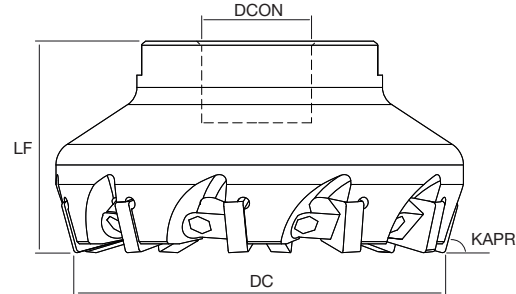

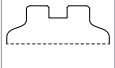

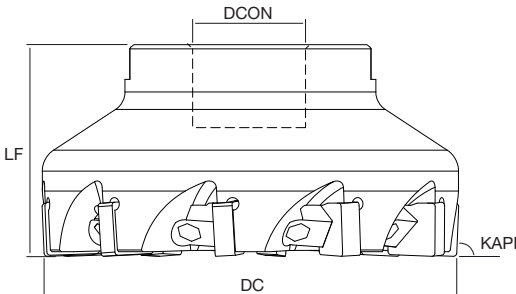





<p>ARBOR</p> 			<p>FACING</p>  <p>K</p>						
<p>ARBOR</p> 			<p>FACING</p>  <p>K</p>						
<p>SQUARE ADVANCED (KAPR 75° and 88°)</p>		<p>DC</p>		<p>DCON</p>	<p>LF</p>		<p>MIID</p>		

	NT-SN12-75°	D050-F22-Z5	●	50	5	22	40	0.50	SNGN12 SNGX12 SNMN12 SNXN12		
75°		D063-F22-Z6	●	63	6	22	40	0.70			
		D080-F27-Z8	●	80	8	27	50	1.40			
		D100-F32-Z10	●	100	10	32	50	1.80			
		D125-F40-Z12	●	125	12	40	63	4.00			
		NT-SN12-88°	D063-F22-Z6	●	63	6	22	40	0.70	SNGN12	
88°		D080-F27-Z8	●	80	8	27	50	1.40	SNGX12		
		D100-F32-Z10	●	100	10	32	50	1.80	SNMN12		
		D125-F40-Z12	●	125	12	40	63	4.00	SNXN12		

● stock standard

<p>Spare Parts</p>	<p>WEDGE</p> 	<p>WEDGE SCREW</p> 	<p>WRENCH</p> 
<p>NT-SN12 D□□□</p>	<p>NT-WD070</p>	<p>NT-SC060</p>	<p>NT-WR030</p>

TURNING

THREADING

GROOVING

MILLING

DRILLING

ACCESSORIES