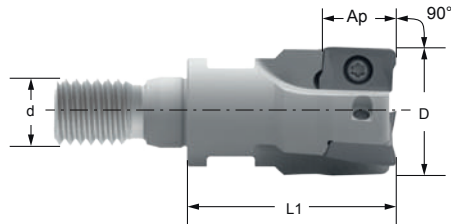


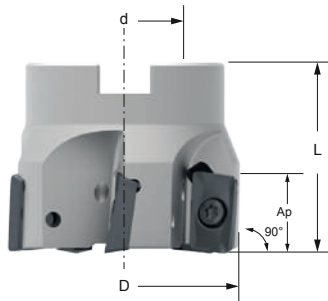
CUTTERS APGT



SCREW COUPLING - APGT 100304 PDER

DESIGNATION	D	d	L1	Ap	Z	$\alpha$	CATALOG #
LT 741 S-W-D016/2	16	M8	25	9	2	10	M2002962
LT 741 S-W-D020/3	20	M10	30	9	3	7	M2002963
LT 741 S-W-D025/4	25	M12	35	9	4	5	M2002964

SCREW KEY M2002181  
M2000601



SHELL MILL - APGT 100304 PDER

DESIGNATION	D	d	L	Ap	Z	$\alpha$	CATALOG #
LT 741 M-W-D040/6	40	16	40	9	6	2.5	M2002798
LT 741 M-W-D050/7	50	22	40	9	7	2.2	M2002799
LT 741 M-W-D063/8	63	22	40	9	8	1.8	M2002800
LT 741 M-W-D080/11*	80	27	50	9	11	1.4	M2002801

\*On Request

SCREW KEY M2002181  
M2000601