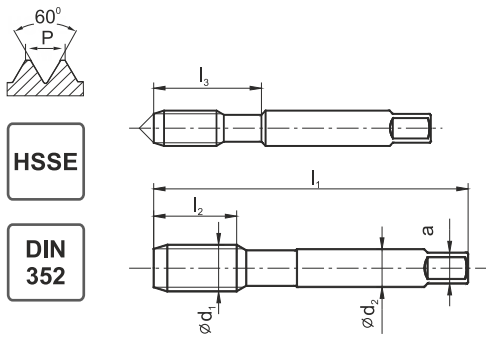


## ISO Metric coarse thread DIN-13



HSSE

DIN  
352

## INOX

KPL/3-P

F



Nr1-P

Nr2

F

F

Material groups



Hole type



Quality of material

HSSE

HSSE

Coating

Chamfer

~3P

M $\varnothing d_1$	P	$l_1$	$l_2$	$l_3$	$\varnothing d_2$	a		Norm	DIN-352		
									Tol.	6HX	6HX
									INDEX	A2-235801	A2-203801
M2	0,40	36	10	10	2,8	2,1	1,6	0020	●	●	
M2,5	0,45	40	10	10	2,8	2,1	2,05	0025	●	●	
M3	0,50	40	10	18	3,5	2,7	2,5	0030	●	●	
M3,5	0,60	45	11	20	4,0	3,0	2,9	0035	○	○	
M4	0,70	45	12	21	4,5	3,4	3,3	0040	●	●	
M4,5	0,75	50	13	24	6,0	4,9	3,7	0045	○	○	
M5	0,80	50	14	25	6,0	4,9	4,2	0050	●	●	
M6	1,00	56	16	27	6,0	4,9	5,0	0060	●	●	
M8	1,25	63	22		6,0	4,9	6,8	0080	●	●	
M10	1,50	70	22		7,0	5,5	8,5	0100	●	●	
M12	1,75	75	24		9,0	7,0	10,2	0120	●	●	
M14	2,00	80	32		11,0	9,0	12,0	0140	●	●	
M16	2,00	80	32		12,0	9,0	14,0	0160	●	●	
M18	2,50	95	40		14,0	11,0	15,5	0180	●	●	
M20	2,50	95	40		16,0	12,0	17,5	0200	●	●	
M22	2,50	100	40		18,0	14,5	19,5	0220	●	●	
M24	3,00	110	50		18,0	14,5	21,0	0240	●	●	

Example of order

A2-203801-0080  
KPL/3 INOX M8-6HX DIN-352 HSSE

- Available from stock
- On request