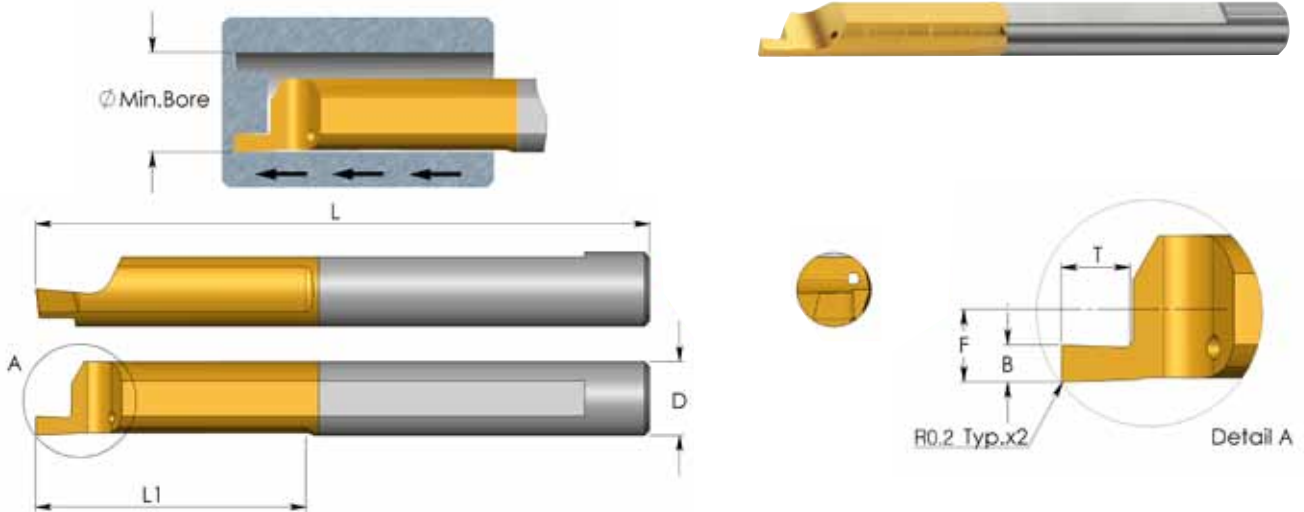


## MFR Bars Face Grooving



D	Ordering Code	L	L1	B	T	F	Min. Bore Dia.	Holder*
4.0	<b>MFR 4 B0.75 L15</b>	51	15	0.75	1.2	1.95	5.0	SIM ... H4
	<b>MFR 4 B1.0 L15</b>	51	15	1.0	1.5	1.95	5.0	
	<b>MFR 4 B1.5 L15</b>	51	15	1.5	2.8	1.95	5.0	
5.0	<b>MFR 5 B0.75 L22</b>	51	22	0.75	1.2	2.45	6.0	SIM ... H5
	<b>MFR 5 B1.0 L22</b>	51	22	1.0	1.5	2.45	6.0	
	<b>MFR 5 B1.5 L22</b>	51	22	1.5	2.5	2.45	6.0	
	<b>MFR 5 B2.0 L22</b>	51	22	2.0	3.8	2.45	6.0	
6.0	<b>MFR 6 B1.0 L22</b>	51	22	1.0	1.5	2.95	8.0	SIM ... H6
	<b>MFR 6 B1.5 L22</b>	51	22	1.5	2.5	2.95	8.0	
	<b>MFR 6 B2.0 L22</b>	51	22	2.0	3.0	2.95	8.0	
	<b>MFR 6 B2.5 L22</b>	51	22	2.5	4.8	2.95	8.0	
	<b>MFR 6 B3.0 L30</b>	58	30	3.0	6.0	2.95	8.0	
8.0	<b>MFR 8 B2.5 L22</b>	64	22	2.5	3.5	3.95	10.0	SIM ... H8

Order example: MFR 5 B1.0 L22 BXC

\* For additional holders see page 100