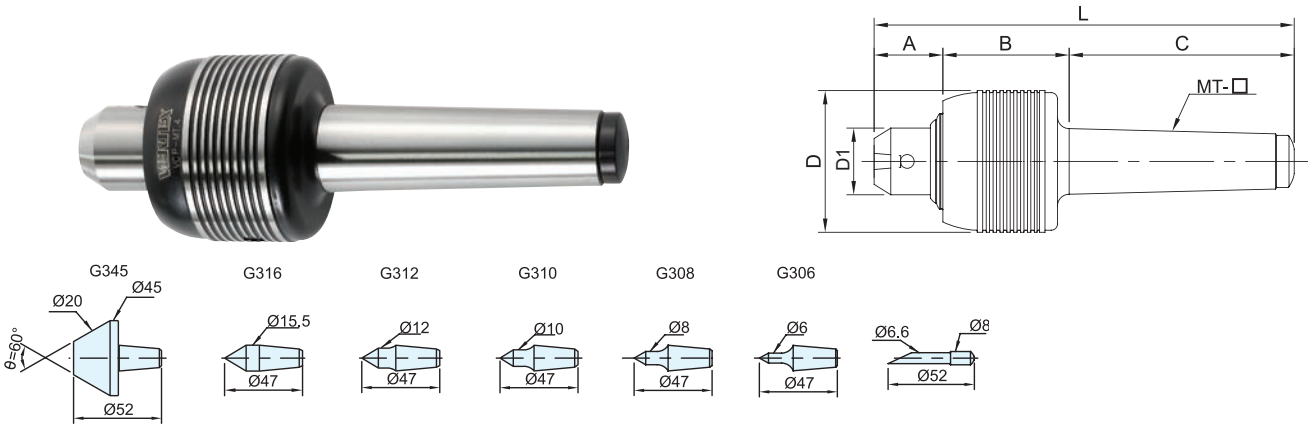




High Load Interchangeable Points Live Center



- Shaft uses material SUJ2:through vacuum heat treatment, it is even more durable, hardness is as high as (HRC60±2°) and satisfied wear-resistance.
- Front end is constituted by SKF angular contact ball bearing & thrust ball bearing. middle & rear ends are comprised of needle roller bearing assembly.
- These centers are suitable for NC lathe at high-speed & heavy-load operation, water-proof.

※Suggested tailstock pressure under 6 kg/cm²

Unit:mm

ORDER NO.	A	B	C	D	D1	L	Accuracy	Speed Max. R.P.M.	θ	G.W. weight kgs	PACKING LxWxH	CODE NO.
VCP-MT4	30	64	108	68	32	202	0.005	4500	60°	3	253 x 130 x 80	5001-060
VCP-MT5	37	70	136	87	40	243	0.005	3000	60°	5.5	275 x 147 x 97	5001-061



High Speed Live Center



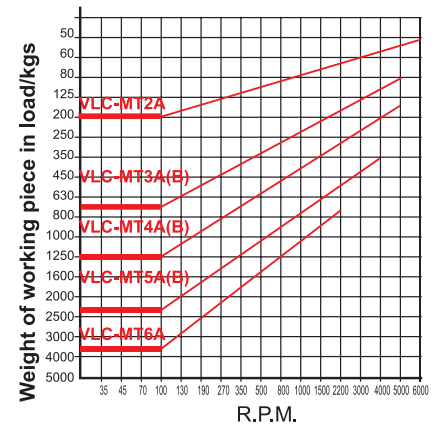
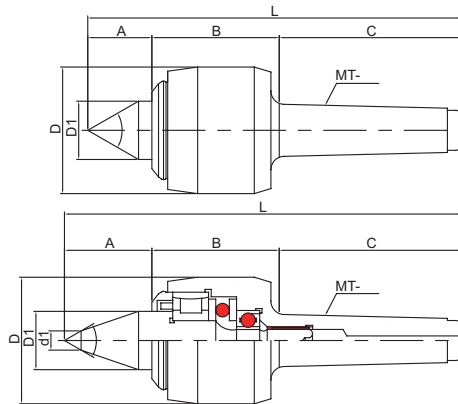
EURO STYLE



A TYPE



B TYPE



- Suit for to CNC lathes, can be used at high speed turning and with waterproof design.
 - The shaft is made of alloy steel and through vacuum heat treatment HRC 60±2°. It has high rigidity and high durability.
 - The center uses the combination of roller bearing, thrust ball bearing and ball bearing.
- ※B Type is applicable in the metal workings on small workpieces.

※Suggested tailstock pressure under 6 kg/cm²

Unit:mm

ORDER NO.	TYPE	A	B	C	D	D1	L	d1	Accuracy	Speed Max. R.P.M	θ	G.W. weight	PACKING L x W x H	CODE NO.
VLC-512	MT2A	20	46	69	32	13	135	-	0.003	6000	60°	0.8	240x70x61	5001-062
VLC-513	MT3A	34	61	86	58	25	181	-	0.003	5200	60°	1.8	253x92x80	5001-063
VLC-514	MT4A	44	67	114	76	35	225	-	0.003	5000	60°	3.2	290x92x80	5001-064
VLC-515	MT5A	55	88	142	95	45	285	-	0.003	3500	60°	5.6	303x108x101	5001-065
VLC-513B	MT3B	45	61	86	58	25	192	10	0.003	5200	60°	1.8	290x92x80	5001-067
VLC-514B	MT4B	55	67	114	76	35	236	12	0.003	5000	60°	3.2	253x92x80	5001-068
VLC-515B	MT5B	67	88	142	95	45	297	14	0.003	3500	60°	6.0	303x108x101	5001-069