



Precision Universal Angle Vise



PAT.

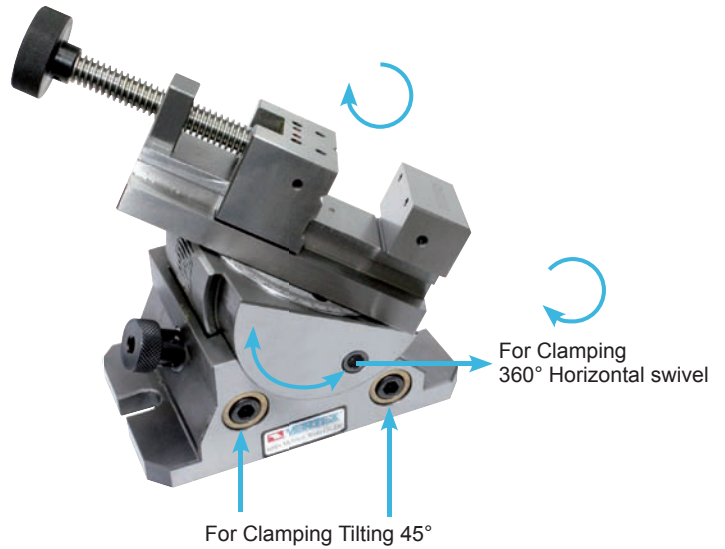
NEW



VUA-3



VUA-4

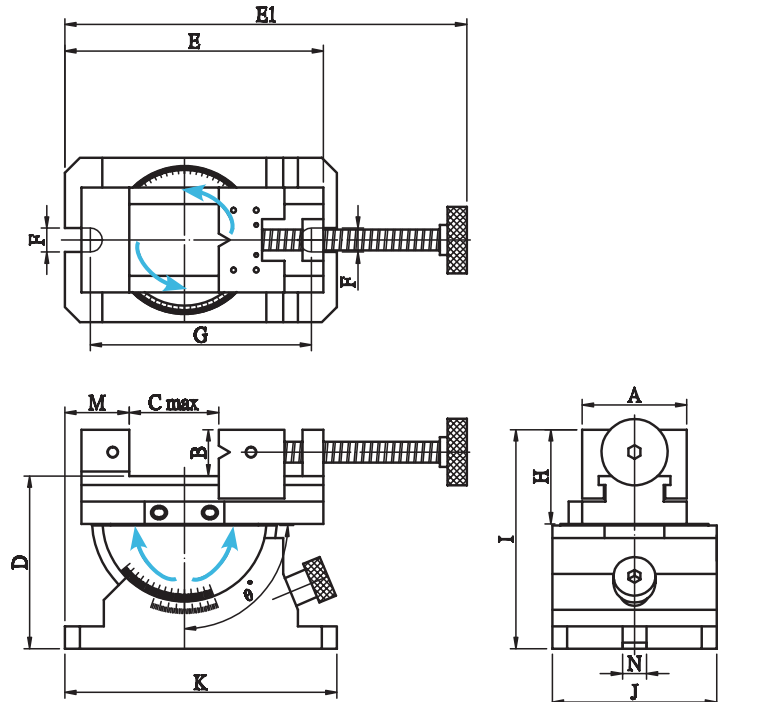


For Clamping Tilting 45°

For Clamping 360° Horizontal swivel

Features

- Precision graduation for accurate reading.
- Its swivelling and tilting features make this unit well suited for straight or inclined surface, angular drilling machining on various machine tools as precision grinding machine, boring and milling machine, electrical discharge machine etc.
- Tolerance $\pm 0.01\text{mm}/100\text{mm}$.
- Vise bottom to base parallelism $\pm 0.02\text{ mm}$
- Squareness ± 0.02
- 360° Horizontal swivel
- 45° Vertical tilting
- Precision ground
- Material: VISE SK-2
- Hardness: HRC 52 $\pm 2^\circ$
- Load capacity : 25kgs



Unit:mm

ORDER NO.	A	B	C MAX	D	E	E1	F	G	H	I	J	K	M	N	θ	G.W(KGS)	CODE.NO.
VUA-3	70	31	80	115	173	291	16	156	63	146	110	182	43	16	-20°~50°	12	2003-050
VUA-4	88	35	110	132	193	346	16	156	83	167	110	182	29	16	-20°~50°	15	2003-051